

ULTIMATE WINDOW SCREENS

How to Measure

1 Evaluate Window & Determine Ultimate Window Screen Type

There are 3 types:

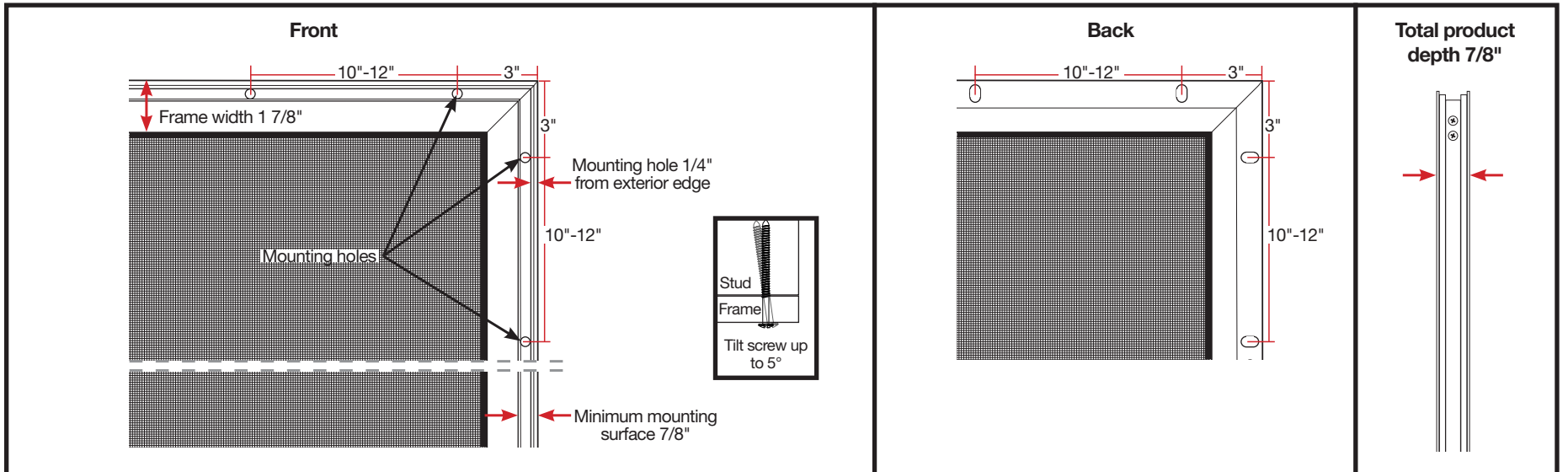
Fixed - Slimline, stationary window screen that covers the entire window or door sidelite and cannot be opened. Surface mount only. *Does not meet code for providing child-safe, emergency egress.*

Cleanable - Operating window screen that opens from the outside to allow seasonal cleaning access. Surface or inside mount must be specified. *Does not meet code for providing child-safe, emergency egress.*

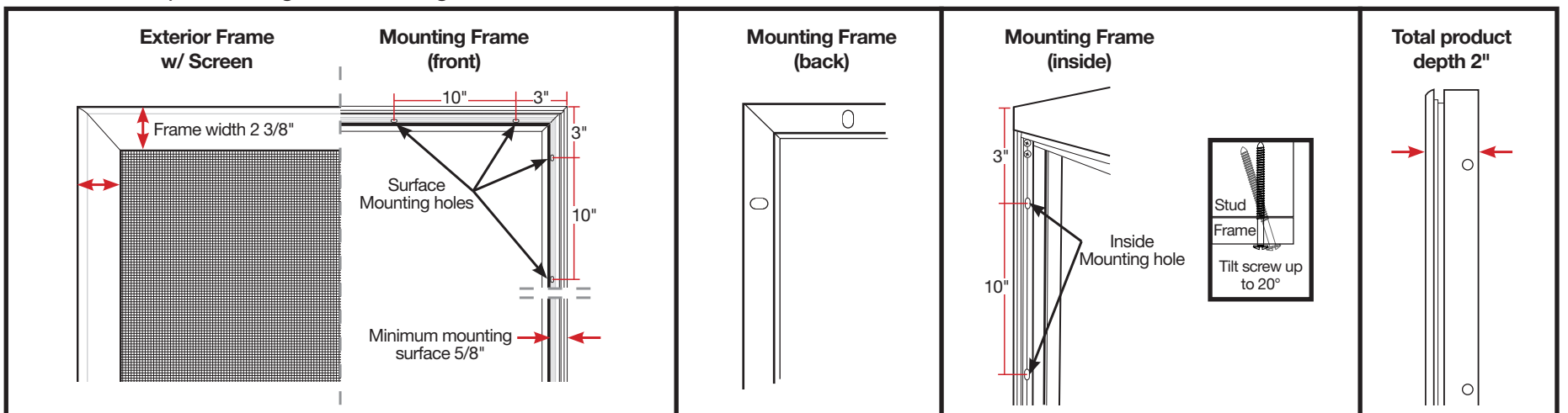
Quick Escape - Operating window screen that opens quickly from the inside to allow for emergency exit. Surface or inside mount must be specified. Designed to meet code for child-safe emergency egress.

2 Review Screen Frame and Mounting Surface Specifications

Fixed Ultimate Window Screens are **surface mount only** with pre-drilled mounting holes that allow for up to 5 degree screw angle at installation as shown.

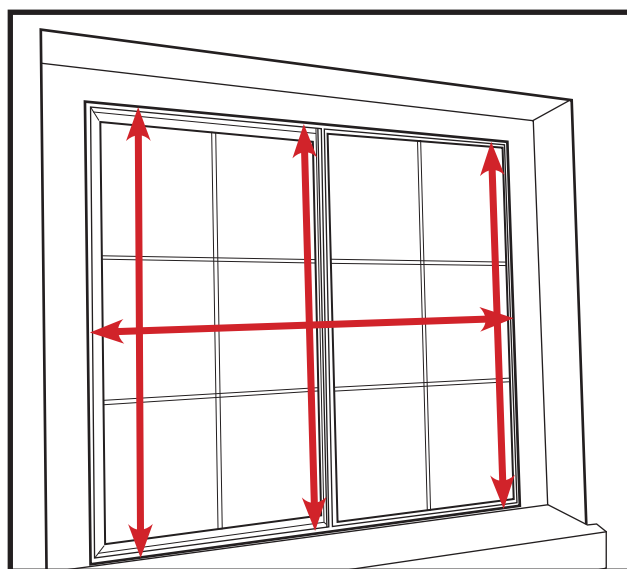


Quick Escape and Cleanable Ultimate Window Screens come with pre-drilled mounting holes for either surface or inside mount that allow for up to 20 degree screw angle at installation as shown.

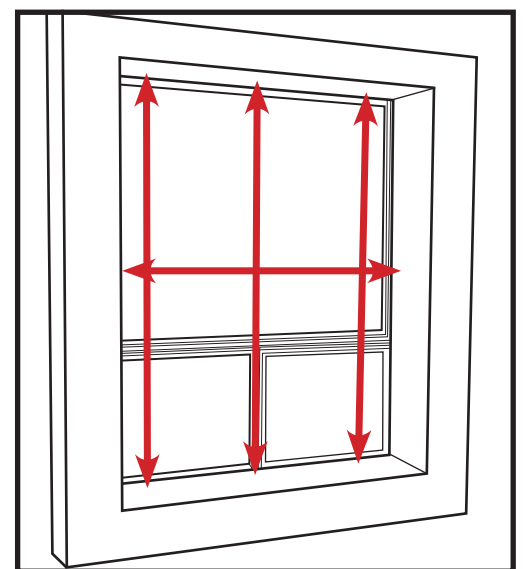


3 Identify Mounting Surface

Based on the frame and minimum mounting surface of the product type selected and keeping in mind that the Ultimate Window Screens must be fastened to the framing of the home surrounding the window, identify the mounting surface for the window screen, checking carefully for any obstructions or interference. You may need to remove an obstruction or in some cases trim out a suitable mounting surface if the window and surrounding surface configuration do not provide one.



Typical Surface Mount



Typical Inside Mount

4 Measure Rough Opening, Record & Order

Measure rough opening width from edge-to-edge of the mounting surface identified for surface mount or from surface-to-surface for inside mount in three locations and record the smallest width. Measure rough opening height using the same method and record the smallest height. Repeat for all windows and transfer the following information for each to your order.

Screen Type Fixed Cleanable Quick Escape

Mount Type Surface Inside

Surface Mount Width	Rough Opening	+ 2"
		= Outer Dim.
Surface Mount Height		+ 2"
		= Outer Dim.

Inside Mount Width	Rough Opening	- 1/4"
		= Outer Dim.
Inside Mount Height		- 1/4"
		= Outer Dim.