

SELECTING SIZE

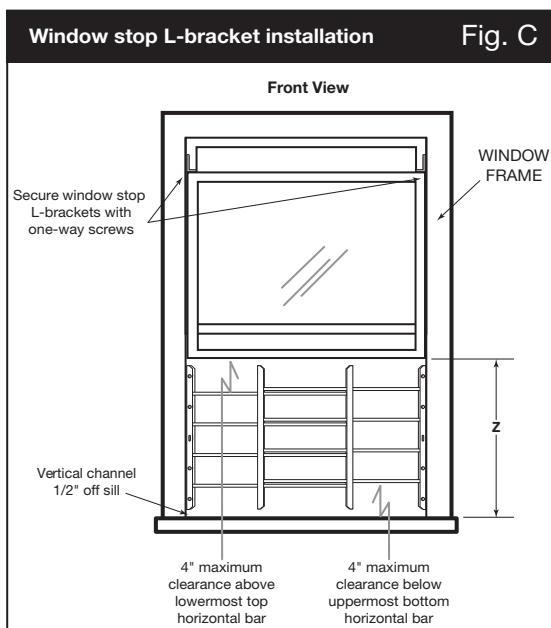
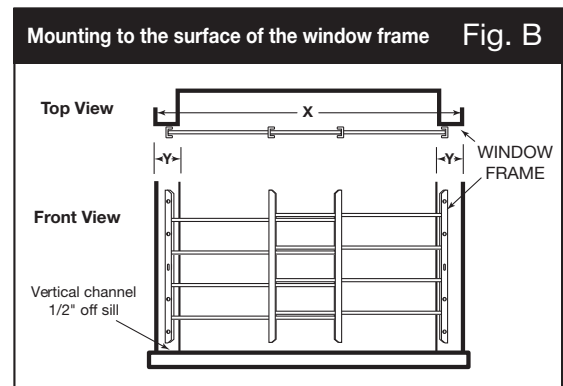
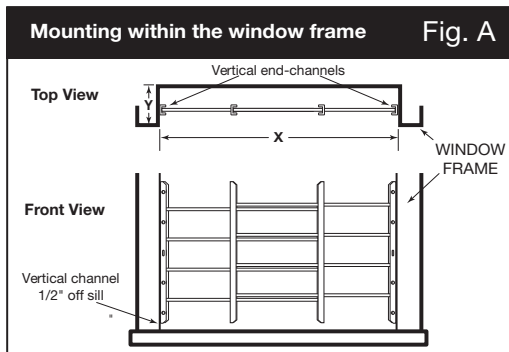
The horizontal window guard can be mounted within, or to the surface of the window frame. Although the window guard can be installed on the exterior of your home, this type of window guard is best when installed on the interior side of your window.

Proper Selection

1. Determine where and how the window guard is to be mounted. Measure for dimension X (Fig. A or B). Guards expand from 22-3/4" up to 42-1/2". When mounting within the window frame (Fig. A) or to the surface of the window frame (Fig. B), dimension X must be between 22-3/4" and 42-1/2". In either case, the mounting area (dimension Y) must be 1" or greater.
2. Open your window and measure for dimension Z (Fig. C). See chart to select appropriate height (and number of bars) for your window, which must be less than dimension Z.

Number of Bars	Guard Height	Maximum Window Opening	Number of Bars	Guard Height	Maximum Window Opening
3-bars	15"	16"	5-bars	23"	24"
4-bars	19"	20"	6-bars	27"	28"

For openings larger than 32", multiple window guards can be stacked.



FROM OUTSIDE OF HOUSE LOOKING IN