

Patio Screen Door

How to Measure and Select Size

Screens are adjustable in height only

30"

fits most
5' wide doors

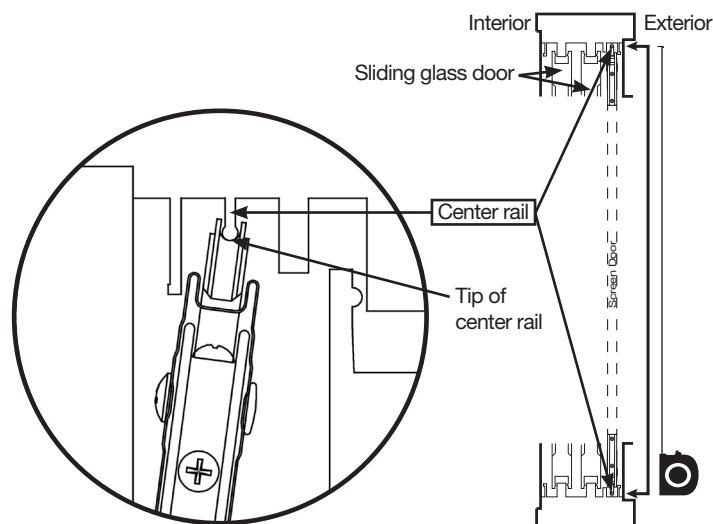
36"

fits most
6' wide doors

48"

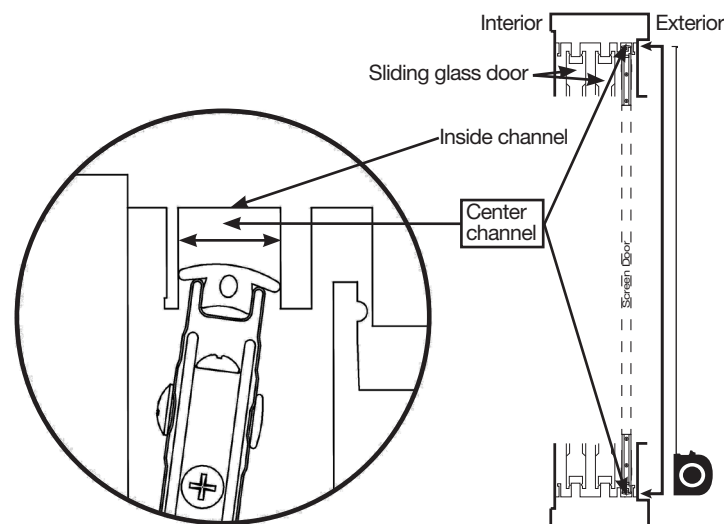
fits most
8' wide doors

A Track Type: Center Rail



Measure tip to tip of center rail at top
and bottom of sliding screen door track

B Track Type: Center Channel



Measure inside center channel to inside center
channel at top and bottom of sliding screen door track

Standard Metal Patio Screen Door

Height
Measurement
Between

77-5/8" - 80"

Will Fit

Ultimate/Premium **Metal**

Patio Screen Door
with EZ Adjust* system

Height
Measurement
Between

77-1/2" - 81-1/2"

Will Fit

Note: For smaller openings, remove one or both expanders

Ultimate/Premium **Vinyl**

Patio Screen Door
with EZ Adjust* system

Height
Measurement
Between

77-1/2" - 81"

Will Fit

Note: For smaller openings, remove one or both expanders